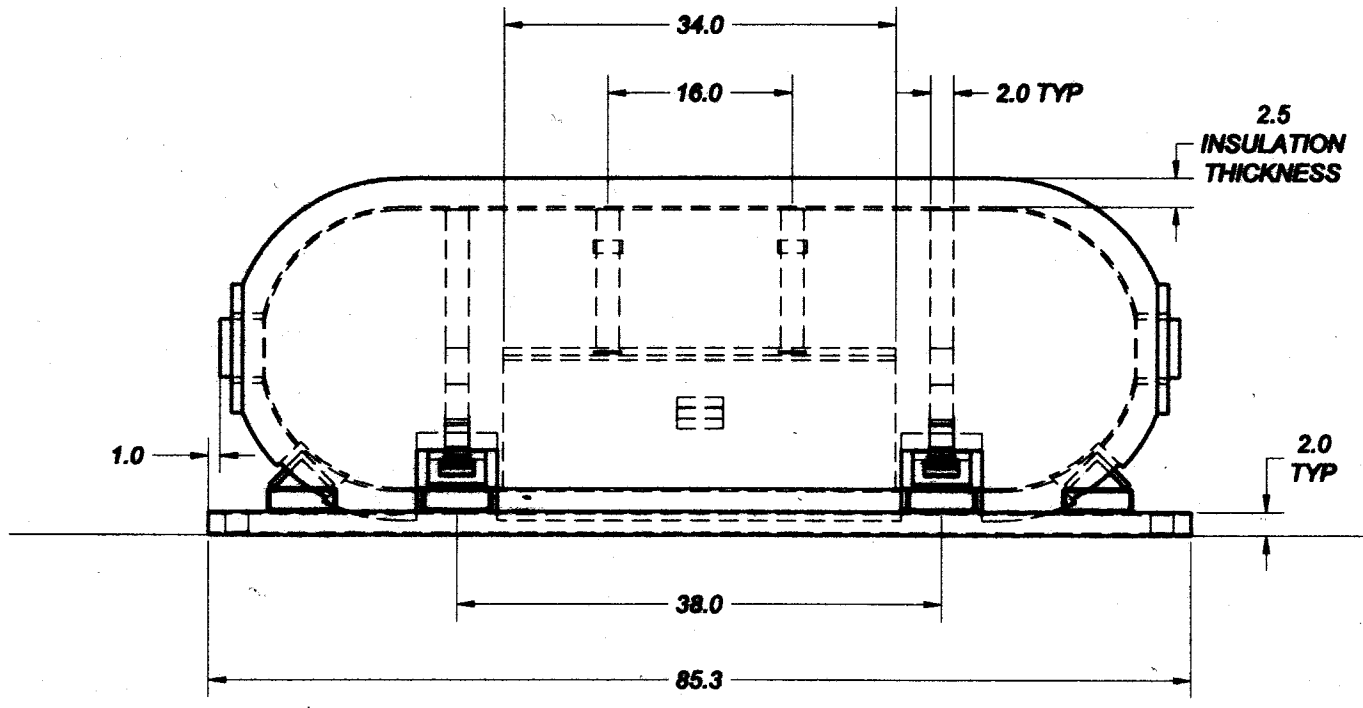
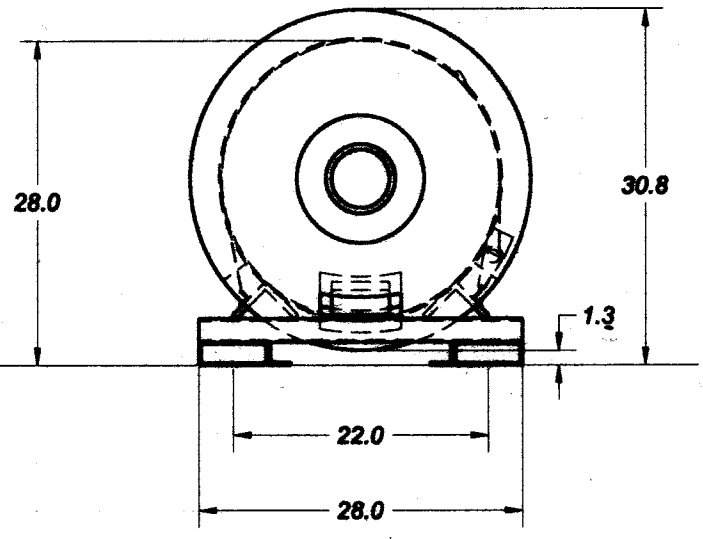
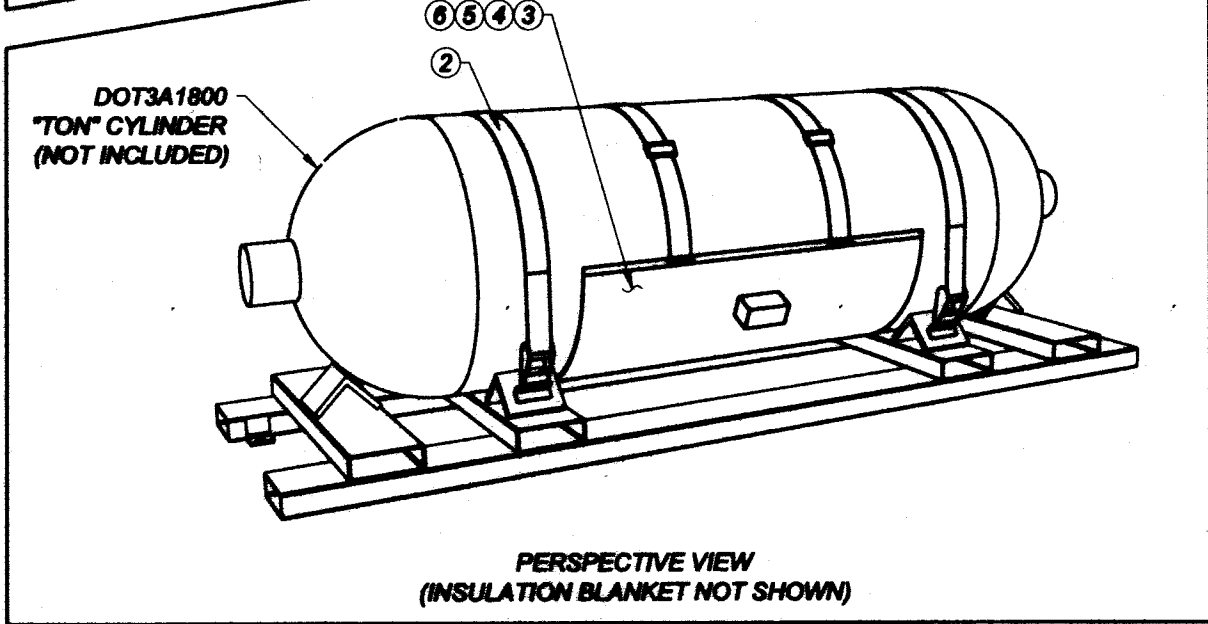
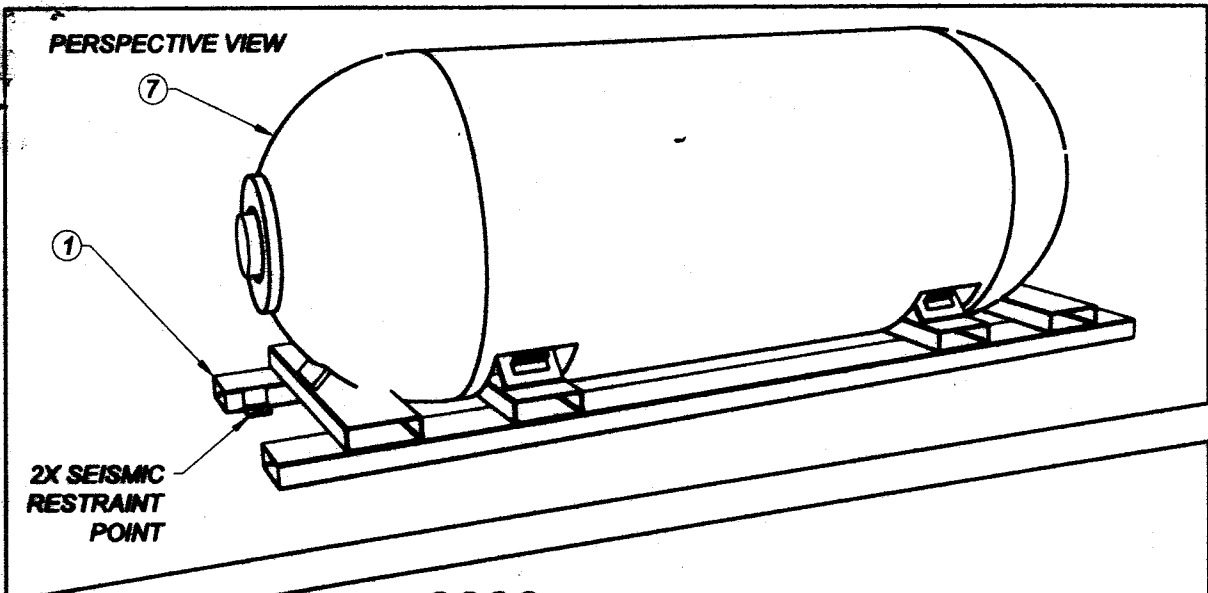


1



2

A



B

C

|  |       |         |    |                                 |
|--|-------|---------|----|---------------------------------|
| 217  | 1     | 6/10/02 | CD | RELEASED TO MANUFACTURE         |
| ECN  | REV   | DATE    | BY | DESCRIPTION                     |
| 6/10/02  |       |         |    |                                 |
| CD   | check | DATE    | BY | DESCRIPTION                     |
|  |       |         |    |                                 |
| <p>PLEASE REFER TO THE DRAWING FOR ALL DIMENSIONS IN INCHES UNLESS OTHERWISE SPECIFIED.</p> <p>1/8" = 3.175mm<br/>1/4" = 6.35mm<br/>3/8" = 9.525mm<br/>1/2" = 12.7mm<br/>5/8" = 15.875mm<br/>3/4" = 19.05mm<br/>1" = 25.4mm</p> <p>ALL DIMENSIONS UNLESS OTHERWISE SPECIFIED ARE TO CENTER UNLESS OTHERWISE SPECIFIED.</p> |       |         |    |                                 |
| <p>Accurate Gas Control Systems Inc. 2825 South Rodeo Gulch Road, #1 Soquel, California, USA, 95073 (831) 482 0600 fax (831) 482 0607 accurategas.com</p>  |       |         |    |                                 |
| <p><b>CYLINDER SKID SYSTEM</b></p>   |       |         |    | <p>1</p> <p>B</p>               |
| <p><b>MEGA500</b></p>  |       |         |    | <p>1 OF 1</p> <p>DRAWING No</p> |