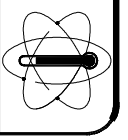


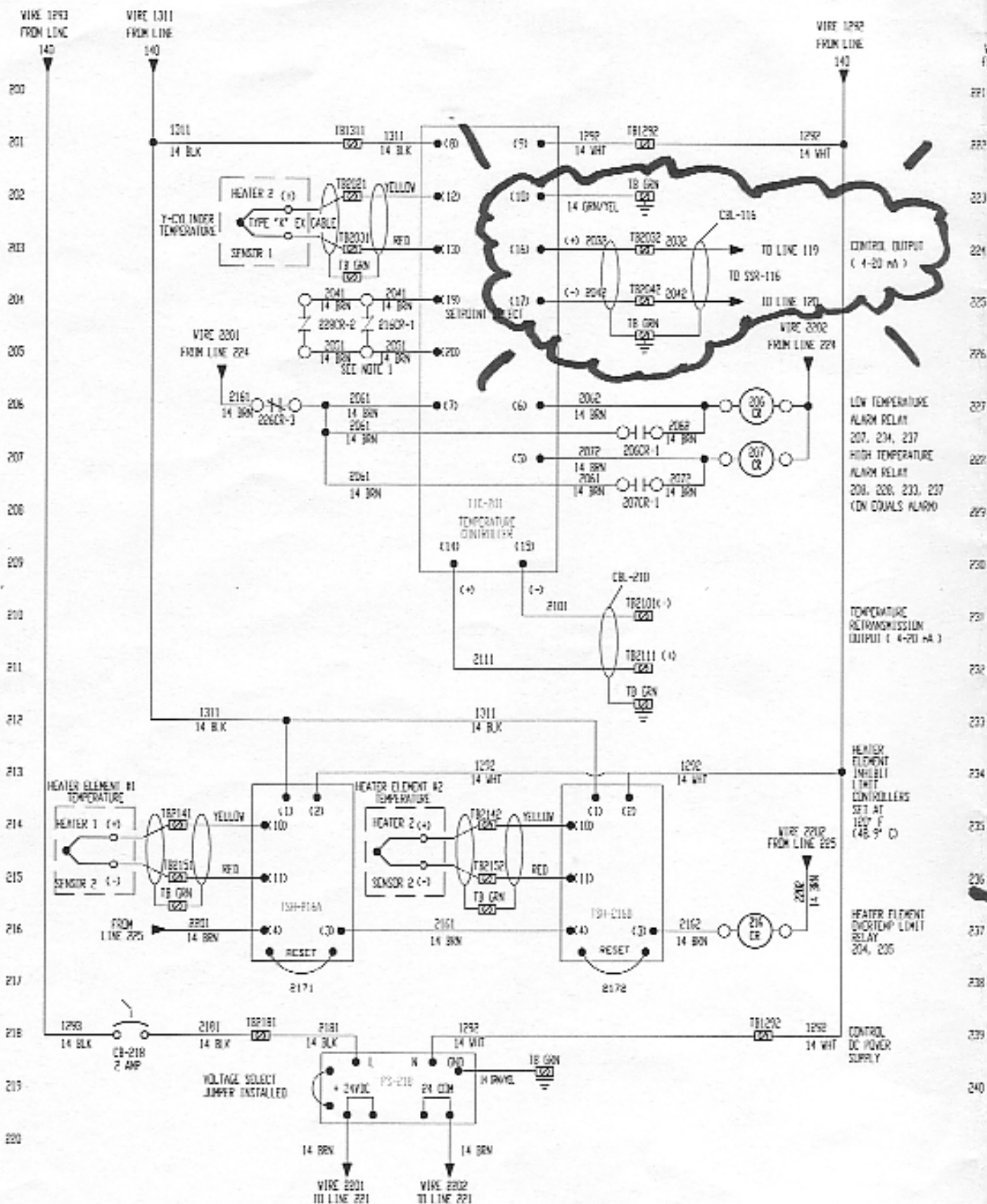
REV	DATE	BY	DESCRIPTION
137	B	7/10/00	CD LINES 230,228,129,139 AS BUILT PER ECO
121	A	5/30/00	CD RELEASED TO MANUFACTURE

MEGAFLOW		ELECTRICAL SCHEMATIC	
TITLE	SCALE	SHEET	OF
MEGE101B	1 OF 2	1	2

REV	DATE	BY	DESCRIPTION
5/30/00			

IP
 2025 South Rodas Guich Road, #1
 Soquel, California, USA, 95073
 (831) 462 0500
 (831) 462 0507
 accurategas.com





NOTES:
 1. PINS 19 TO 20 SHORTED - SETPOINT 2 - 0° C
 PINS 19 TO 20 OPEN - SETPOINT 1 - OPERATING SETPOINT
 (BOTH CR216 & CR220 HAVE TO BE ENERGIZED FOR NORMAL OPERATION)
 2. GROUND THERMOCOUPLES AT CABINET END ONLY, AS DRAWN, NOT AT Y-CYLINDER END

A