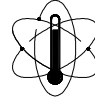


Accurate Gas Control Systems

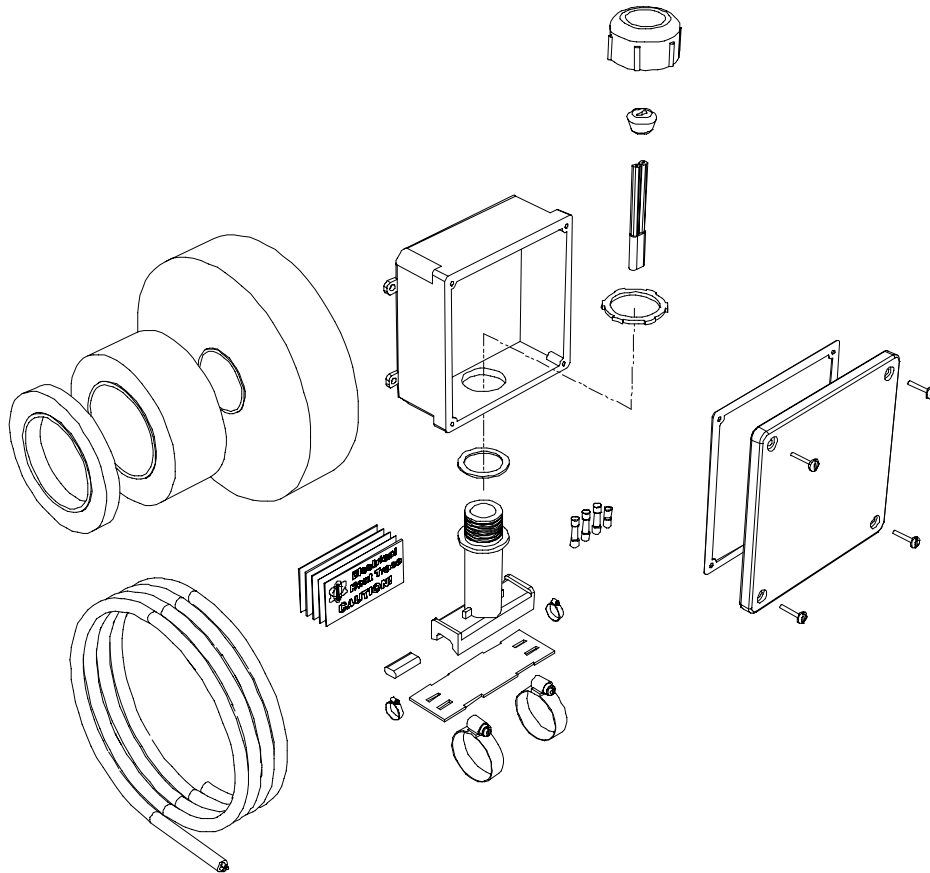
2825 South Rodeo Gulch Road, Soquel, California 95073
(831)-462-0500, Fax (831)-462-0507, accurategas.com



INSTALLATION INSTRUCTIONS ATIKG CONNECTION KIT

Kit Contents

1	Stand-off	1	Head nut	3	Insulated connectors
1	Pipe adapter	1	Sealing grommet	1	Ground connector
2	½-inch hose clamps	1	Power termination boot	5	Caution labels
2	1 ½-inch hose clamps	1	Flange nut	1	Insulation roll
1	End seal	1	Junction box	1	Aluminum tape roll
6'	Power cord	1	Gasket	1	Fiberglass tape roll



Warnings:

- Canadian Division 2 Hazardous installations must use internal ground connection of over-brade.
- Article 427 of the National Electric Code requires that all heaters shall have metal coverings and be provided with branch circuit ground-fault protection.